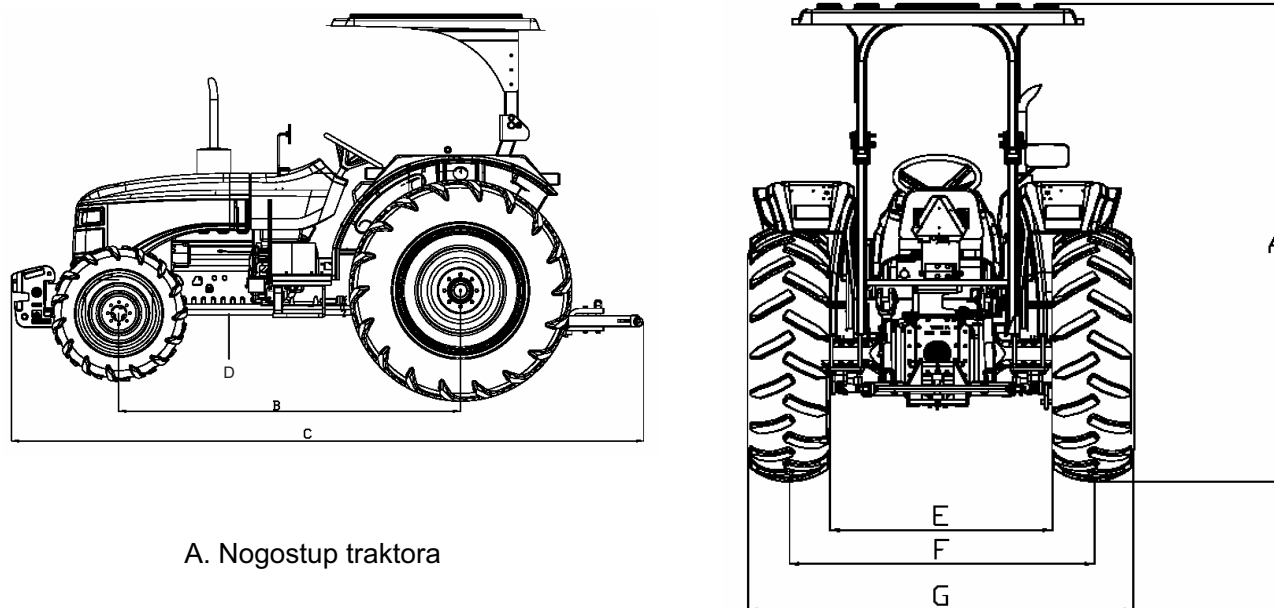


POGLAVLJE - 6

|| TEHNIČKE SPECIFIKACIJE ||

TEHNIČKE SPECIFIKACIJE*

6.1 Težina i dimenzije



A. Nogostup traktora

Generalni podaci	MODEL TRAKTORA	
	SOLIS 75	SOLIS 75
Sa gumama	2WD	4WD
- Prednje	7.50 x 16	11.2 x 24
- Zadnje	16.9 x 30	16.9 x 30
Masa		
Spreman za rad; sa punim rezervoarom; bez tegova, sa sigurnosnim ramom (Kg)	2741	2760
Dimenzije		
A - Visina do sigurnosnog rama (mm)	2520	2520
B - Međuosovinsko rastojanje (mm)	2260	2345
C - Maks. dužina sa prednjim tegovima i polugama (mm)	4160	4160
D - Klirens (mm)	410	390
E - Širina traga zadnjih točkova (mm)	1510	1600
F - Širina traga prednjih točkova (mm)	1600	1672
G - Minimalna širina (mm)	1965	1990

* Specifikacije su predmet promene bez prethodne najave. Konsultujte najbližeg dilera za tačne informacije o modelu i detaljne specifikacije.

TEHNIČKE SPECIFIKACIJE*

6.2	MODEL TRAKTORA	
	TRACTOR MODEL	SOLIS 75
	4WD	2WD
Engine :		
Tip	Četvorotaktni turbo dizel sa direktnim ubrizgavanjem, sa vodenim hlađenjem	
Model		
Ubrizgavanje goriva	direktno ubrizgavanje	
Broj cilindara	4	
Prečnik cilindra (mm)	100	
Hod klipa (mm)	118	
Radna zapremina (CC)	3707	
Kompresioni odnos	18.2:1 (±0.2)	
Maksimalna snaga ISO (KS/kW)	69.7/52	
Nominalni broj obrtaja (o/min)	2000(± 25)	
Maksimalni broj obrtaja motora (o/min)	2200 (±50)	
Maksimalni obrtni moment (Nm)	278 (±5%)	
Broj obrtaja pri maksimalnom obrtnom momentu (o/min)	1300 (±100)	
Broj obrtaja pri radu „u leri„ (RPM)	700 (±50)	
Sistem prenosa		
Tip	Zupčasti	
Zazor podizača, hladan motor		
Usisavanje	mm	0.3 +- 0.02
Ispuštanje	mm	0.4 +- 0.05
Sistem za ubrizgavanje goriva		
Pumpa za gorivo	BOSCH	
Pumpa za ubrizgavanje goriva	BOSCH, India	
Raspored paljenja	1-3-4-2	
Dizne	BOSCH India	
Pritisak dizni (Bar)	25+8	
Sistem za hladan start	Opciono	
Filter vazduha	Suvi sa senzorom začepljenosti	

Podmazivanje motora

Podmazivanje pod pritiskom delovanjem pumpe

Filtriranje ulja pomoću:

Merača na ulazu pumpe

Zamenljivog uloška filtera na izlaznoj liniji motora

Pritisak ulja na nominalnom broju obrtaja: 3.5/5.2 bara.

Startovanje motora

Termostarter za startovanje na niskim temperaturama

Hlađenje

Vodeno hlađenje, cirkulacija pomoću centrifugalne pumpe. Termostat kontroliše cirkulaciju vode.

Normalna temperatura: 74± 2°C - 90± 2°C

Antifriz je potreban na veoma niskim temperaturama (vidite odeljak "održavanje").

*Specifikacije su predmet promene bez prethodne najave. Konsultujte najbližeg dilera za tačne informacije o modelu i detaljne specifikacije..

TEHNIČKE SPECIFIKACIJE*

Za oba Solis 75 modela

6.3 Transmisija:

Kvačilo:	Dvostruko sa keramičkom lamelom.		
Prečnik lamele:	280mm		
Transmisija:	Sinhroni sa 12 brzina unapred i 12 unazad, sa brzim, srednjim i sporim stepenom prenosa		
Zadnja osovina:	sa kosim parom zupčanika		
4WD Modeli:	Kosi par zupčanika: 12/41		
	Stepen redukcije zadnjeg pogona: 14/84		5.09
	Ukupna redukcija:20.5		
2WD Modeli:	Kosi par zupčanika 12/41		
	Stepen redukcije zadnjeg pogona: 14/84		5.09
	Ukupna redukcija: 20.5		

Zadnja blokada diferencijala: Mehanička kontrola i pokretanje



OPREZ : Specifikacije date ovde su uopštena vrsta Tehničkih specifikacija za sva tržišta. Od svog dilera potražite detaljne informacije.

* Specifikacije su predmet promene bez prethodne najave. Konsultujte najbližeg dilera za tačne informacije o modelu i detaljne specifikacije.

TEHNIČKE SPECIFIKACIJE*

6.4 Izlatno vratilo

Izlazno vratilo sa mehaničkim aktiviranjem.

Izlazno vratilo se uključuje i isključuje ručno polugom na instrument tabli, a pokretanje se vrši putem suvog diska kvačila.

Brzine

Dve brzine:

Prva : 540 **RPM**

Druga : 540/540ECO RPM

PTO type	PTO RPM	Engine RPM
540	540	1938
540ECO	540ECO	1648

Izlazno vratilo je u skladu sa A.S.A.E standardima. -13/8"(34.9mm) promer vratila sa 6 žljebova (standardni sklop).

Pokretanje i selekcija načina rada priključnog vratila vrši se polugom sa leve strane menjača.

Brzina izlaznog vratila u skladu sa brzinom kretanja

Brzina okretanja u sinhronizovanom modu (Izlazno vratilo se okrene pri svakom okretu zadnjih točkova):

PTO	PTO driveline revolutions
540	9.6862

*Specifikacije su predmet promene bez prethodne najave. Konsultujte najbližeg dilera za tačne informacije o modelu i detaljne specifikacije..

6.5 i. Kočnice

ii. Zadnje kočnice

Kočnice sa višestrukim diskovima u ulju montirane su na zadnjoj osovini.

Mehaničko pokretanje vrši se dvema pedalama koje se nalaze na desnoj strani vozača. Dve pedale mogu biti spojene mehanizmom za blokiranje kako bi obezbedili simultano kočenje na obe strane tokom vožnje/tegljenja.

Parkirna kočnica kontrolisana je nezavisnom ručnom polugom, i povezana je direktno sa glavnim kočnicama.

Prednja osovina

6.6 2WD Prednja osovina

Prednja osovina okreće se oko centralne osovinice.

Putanja se podešava teleskopskim klizanjem krajeva osovine.

6.7 4WD Prednja osovina

Prednja osovina od sferičnog gvozdene kova okreće se oko dva centralna držača.

Mehaničko uključivanje prednjeg pogona.

Transmisija kroz glavni diferencijal i reduktor za prednju vuču

6.8 Upravljač

Sistem servo upravljača kontroliše se upravljačkim točkom sa nezavisnim hidrauličnim sistemom.. Upravljački cilindar dvostrukog dejstva montiran je na kućištu osovine. .

6.9 Podešavanje traga točkova

Trag točkova podesiv je na 2WD prednjoj osovini i na zadnjim osovina. Vidite tabele u odeljku "Operacije".

TEHNIČKE SPECIFIKACIJE*

6.10 Hidraulični sistem

- Dvostepena zupčasta hidraulična pumpa, pogonjena direktno zupčanicima **timing system** sa filterom na with the filter on the intake.

- Mehanički kontrolisano podizanje

Kontroliše položaj i opterećivanje i „pomešani,“ režim , (I položaj i opterećivanje). Takođe radi i u plivajućem režimu.

Osetljivo podešavanje brzine spuštanje.

6.11 Vešanje u tri tačke

- CAT kačenje sa fiksiranim loptama na krajevima i mehanički podesivim toplingom.
- Kontrolni ventili
- Kontrolni ventili sa brzim gurni / povuci kačenjem
- Kontrolni ventili koriste hidrauličnu pumpu

6.12 Električni sistem

Voltaa: 12 V-AH, Akumulator bez održavnje

6.13 Alternator (12V-Amp)

Automatski regulator voltaže ugrađen je u alternator. Automatic voltage regulator incorporated in alternator. Indikator punjanja sa svetlom.

6.14 Elektropokretač (12V-KW)

Automatsko pokretnja zupčanika elektromagnetom.

6.15 Svetla

Prednja svetla uključujući: Dva glavna svetla sa duplim sijaličnim vlaknom(12V-W)

- ✎ Dva bočna svetla sa belim staklom . (12W-W)
- ✎ Dva pokazivala pravca sa narandžastim staklom
- ✎ Dva zadnja svetla sa crvenim staklom (12W-W)
- ✎ Dva kočiona (stop) svetla sa crvenim staklom
- ✎ Svetlo registracione tablice (12V-W), (12V-W)
- ✎ Zadnje podesivo halogeno svetlo ili svetla (opciono). (12W-W)
- ✎ 7-polna utičnica za prikolicu.

6.16 Osigurači

Konsultujte opis u odeljku "Električni sistem" za osigurače koji štite električni sistem.

6.17 Sigurnosni ram

Sklopivi sigurnosni ram sa dva stuba, odobren je od strane OECD Međunarodnih standarda

Sdište za vozača sa E-oznakom

Blatobrani spojeni zavrtnjevima za sigurnosni ram.

6.18 Sedište

Standardno tapacirano sedište sa podesivom suspenzijom. Sedište se podešava i vertikalno i horizontalno za visinu i udaljenost od kontrola.

6.19 Hauba / Filter vazduha

Podignite haubu u jednom pokretu unazad, da bi lako dohvatili organe motora npr. filter vazduha

6.20 VUČNI UREĐAJI

Prednja kuka za vuču

Traktor može biti opremljen prednjom kukom za vuču (Fig. 6-2) za menevre prikolicom u vanrednim ili kako bi se sam traktor vukao.

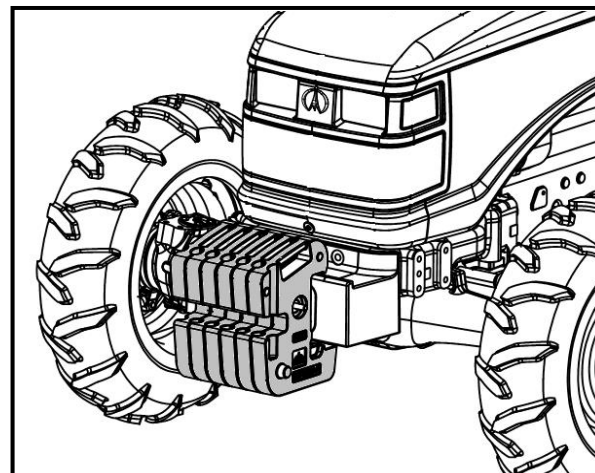


Fig. 6-2 Prednja kuka za vuču.

TEHNIČKE SPECIFIKACIJE*

6.21 Kuka za vuču klase A

Traktor može biti opremljen kukom za vuču klase A (Fig 6-3), koja se sastoji od sektora i poteznice konstruisanim samo za poljoprivredne priključke i prikolice sa dve ili više osovine.

Nikada ne koristite ovaj tip priključka da vučete priključke i prikolice sa jednom osovinom zato što oni mogu vršiti preveliki pritisak na poteznicu i podizati prednji kraj traktora

Poteznica (1) se može špdešavati po visini za propisno spajanje kako vučenih tako i priključaka pogonjenih priključnim vratilom.

Postoje dva moguća podešavanja:

- ✎ Poteznica se može okretati tako da je kuka orjentisana na gore ili na dole;
- ✎ Tačka okretanja sektora nosača na traktoru može vairati.
- ✎ Štaviše, sektor vučne kuke dozvoljava i horizontalno podešavanje, ukoliko neki od priključaka zahteva slobodno kretanje.



UPOZORENJE : Kada se koriste priključci povezani sa izlaznim vratilom, poteznica se mora podesiti po visini tako da bude između 150 i 300 mm (od 5.91 do 11.82 in) ispod osovine priključnog vratila

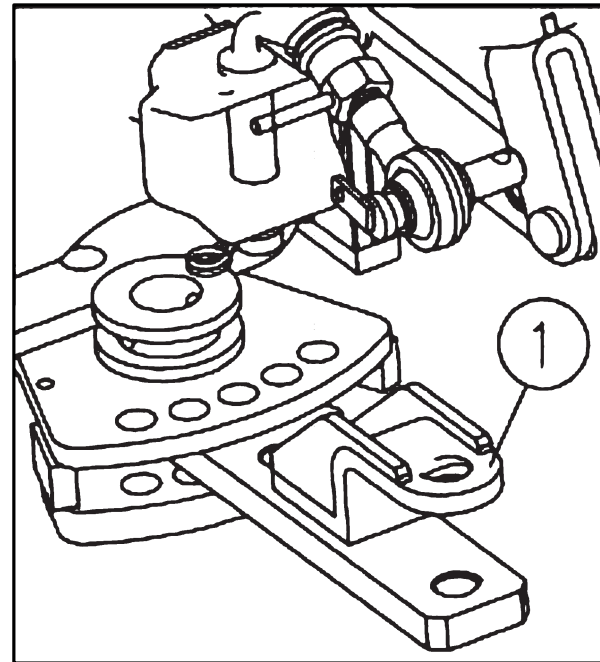


Fig.6-3 - Kuka za vuču klase A 1 - Poteznica

TEHNIČKE SPECIFIKACIJE*

6.22 MAZIVA I GORIVA

GORIVO: Tip: Gustina | Dizel za visoke brzine u skladu sa
IS: 1460-2000 0.840 g/cm³

ULJE I PODMAZIVANJE:
Količina i intervali promene:

	Kapacitet / L	Broj sati za zamenu ulja	Broj sati za zamenu filtera
Rezervoar ulja u motoru	12.5	Prva zamena nakon 50 radnih sati a nakon toga na svakih 250 radnih sati	Prva zamena nakon 50 radnih sati a nakon toga na svakih 250 radnih sati.
Menjač i zadnja osovina	34.0	Prva zamena nakon 400 radnih sati a nakon toga na svakih 1200 radnih sati	Prva zamena nakon 50 radnih sati a nakon toga na svakih 250 radnih sati
Servo upravljač	3.5	Prva zamena nakon 400 radnih sati a nakon toga na svakih 1200 radnih sati	
Hidraulika	zajedno sa menjačem		300
Prednja osovina (4wd)	4.4 Lt. (Kučište) 1 Ltr. (Glavčina)	Prva zamena nakon 250 radnih sati a nakon toga na svakih 1000 radnih sati	

Specifikacija:

	Preporučeno	Korišćeno tokom testa
Motor:		
Tip	SAE 20W-40	PREPORUČENO
Viskoznost	14.0 to 16.0 cSt at 100T	
Klasifikacija	API CD	
Transmisijska, Hidraulični fluid, Ulje prednje i zadnje osovine:		
Tip	ELF-2412	PREPORUČENO
Klasifikacija	API GL4 - GL5	
Ulje u servo upravljaču:		
Tip	DEXTRON IID	PREPORUČENO
Prednja osovina	API GL-4	



International Tractors Limited
 Jalandhar Rd. Hoshiarpur- (Pb). 146 001
 Phones: +91-1882- 302220, 302221, 302223

1st First Service (Hours: 50-60) / (One Month)

Date: _____
 Dealer Code: _____
 Model: _____
 Chassis No. _____
 Engine No. _____
 HMR _____

I here by certify that the service has been carried out to my entire satisfaction as per company recommended schedule.

Owner / Operator signature
 Owner / Operator Name

Dealer stamp & signature:.....

Payment towards all consumables (All lub. /oils, bulb, etc.) will be borne by customer



International Tractors Limited
 Jalandhar Rd. Hoshiarpur- (Pb). 146 001
 Phones: +91-1882- 302220, 302221, 302223

1st First Service (Hours: 50-60) / (One Month)

Date: _____
 Dealer Code: _____
 Model: _____
 Chassis No. _____
 Engine No. _____
 HMR _____

I here by certify that the service has been carried out to my entire satisfaction as per company recommended schedule.

Owner / Operator signature
 Owner / Operator Name

Dealer stamp & signature:.....

Payment towards all consumables (All lub. /oils, bulb, etc.) will be borne by customer



International Tractors Limited
 Jalandhar Rd. Hoshiarpur- (Pb). 146 001
 Phones: +91-1882- 302220, 302221, 302223

2nd Second Service (Hours : 250-260)

Date: _____
 Dealer Code: _____
 Model: _____
 Chassis No. _____
 Engine No. _____
 HMR _____

I here by certify that the service has been carried out to my entire satisfaction as per company recommended schedule.

Owner / Operator signature
 Owner / Operator Name

Dealer stamp & signature:.....

Payment towards all consumables (All lub. /oils, bulb, etc.) will be borne by customer



International Tractors Limited
 Jalandhar Rd. Hoshiarpur- (Pb). 146 001
 Phones: +91-1882- 302220, 302221, 302223

2nd Second Service (Hours : 250-260)

Date: _____
 Dealer Code: _____
 Model: _____
 Chassis No. _____
 Engine No. _____
 HMR _____

I here by certify that the service has been carried out to my entire satisfaction as per company recommended schedule.

Owner / Operator signature
 Owner / Operator Name

Dealer stamp & signature:.....

Payment towards all consumables (All lub. /oils, bulb, etc.) will be borne by customer

JOB TO BE PERFORMED DURING 60 HOURS SERVICE

Operations	Check Points	Tick
Washing	Complete Tractor.	
Lubrication	Lubricate all grease nipples.	
Oil Change	(Sonalika Maxima) Engine Oil. Air cleaner oil.	
Check & Top up	Coolant Level. Electrolyte level of battery. Oil level in steering box.	
Check & Adjust	Tappet clearance. Brake & Clutch pedal free play. Belt Tension(10mm) Idle RPM/Max RPM.	
Check	Toe-In & Tyre pressure. Functioning of oil & temp. gauge. Air cleaner Oil /Air Filter Tightness of all bolts & nuts.	
Clean	FIP feed pump bowl. Vent plugs & terminals of battery. Air cleaner element Wet / Dry. Fuel Cock strainer. Water separator Lubrication oil filter & hyd. oil filter.	
Change	Engine & Bell Hsg M12*1.75*40	
Torquing	/M10*1.5 70/40 Nm Front axle bolts 140 to 150 NM	

JOB TO BE PERFORMED DURING 60 HOURS SERVICE

Operations	Check Points	Tick
Washing	Complete Tractor.	
Lubrication	Lubricate all grease nipples.	
Oil Change	(Sonalika Maxima) Engine Oil. Air cleaner oil.	
Check & Top up	Coolant Level. Electrolyte level of battery. Oil level in steering box.	
Check & Adjust	Tappet clearance. Brake & Clutch pedal free play. Belt Tension(10mm) Idle RPM/Max RPM.	
Check	Toe-In & Tyre pressure. Functioning of oil & temp. gauge. Air cleaner Oil /Air Filter Tightness of all bolts & nuts.	
Clean	FIP feed pump bowl. Vent plugs & terminals of battery. Air cleaner element Wet / Dry. Fuel Cock strainer. Water separator Lubrication oil filter & hyd. oil filter.	
Change	Engine & Bell Hsg M12*1.75*40	
Torquing	/M10*1.5 70/40 Nm Front axle bolts 140 to 150 NM	

JOB TO BE PERFORMED DURING 260 HOURS SERVICE

Operations	Check Points	Tick
Washing	Complete Tractor.	
Lubrication	Lubricate all grease nipples.	
Oil Change	(Sonalika Maxima) Engine Oil. Air cleaner oil.	
Check & Top up	Coolant Level. Electrolyte level of battery. Oil level in steering box.	
Check & Adjust	Tappet clearance. Brake & Clutch pedal free play. Belt Tension (10mm) Idle RPM/Max RPM.	
Check	Toe-In & Tyre pressure. Functioning of oil & temp. gauge. Air cleaner Oil/Air Filter Tightness of all bolts & nuts.	
Clean	FIP feed pump bowl. Vent plugs & terminals of battery. Air cleaner element Wet / Dry. Fuel Cock strainer. Water separator Lubrication oil filter & hyd. oil filter.	
Change	Engine & Bell Hsg M12*1.75*40	
Torquing	/M10*1.5 70/40 Nm Front axle bolts 140 to 150 NM	

JOB TO BE PERFORMED DURING 260 HOURS SERVICE

Operations	Check Points	Tick
Washing	Complete Tractor.	
Lubrication	Lubricate all grease nipples.	
Oil Change	(Sonalika Maxima) Engine Oil. Air cleaner oil.	
Check & Top up	Coolant Level. Electrolyte level of battery. Oil level in steering box.	
Check & Adjust	Tappet clearance. Brake & Clutch pedal free play. Belt Tension (10mm) Idle RPM/Max RPM.	
Check	Toe-In & Tyre pressure. Functioning of oil & temp. gauge. Air cleaner Oil/Air Filter Tightness of all bolts & nuts.	
Clean	FIP feed pump bowl. Vent plugs & terminals of battery. Air cleaner element Wet / Dry. Fuel Cock strainer. Water separator Lubrication oil filter & hyd. oil filter.	
Change	Engine & Bell Hsg M12*1.75*40	
Torquing	/M10*1.5 70/40 Nm Front axle bolts 140 to 150 NM	



International Tractors Limited
 Jalandhar Rd. Hoshiarpur- (Pb). 146 001
 Phones: +91-1882- 302220, 302221, 302223

3rd

Third Service (Hours: 500-510)

Date: _____
 Dealer Code: _____
 Model: _____
 Chassis No. _____
 Engine No. _____
 HMR _____

I here by certify that the service has been carried out to my entire satisfaction as per company recommended schedule.

Owner / Operator signature

Owner / Operator Name

Dealer stamp & signature:.....

Payment towards all consumables (All lub. /oils, bulb, etc.) will be borne by customer



International Tractors Limited
 Jalandhar Rd. Hoshiarpur- (Pb). 146 001
 Phones: +91-1882- 302220, 302221, 302223

3rd

Third Service (Hours: 500-510)

Date: _____
 Dealer Code: _____
 Model: _____
 Chassis No. _____
 Engine No. _____
 HMR _____

I here by certify that the service has been carried out to my entire satisfaction as per company recommended schedule.

Owner / Operator signature

Owner / Operator Name

Dealer stamp & signature:.....

Payment towards all consumables (All lub. /oils, bulb, etc.) will be borne by customer



International Tractors Limited
 Jalandhar Rd. Hoshiarpur- (Pb). 146 001
 Phones: +91-1882- 302220, 302221, 302223

4th

Fourth Service (Hours : 750-760)

Date: _____
 Dealer Code: _____
 Model: _____
 Chassis No. _____
 Engine No. _____
 HMR _____

I here by certify that the service has been carried out to my entire satisfaction as per company recommended schedule.

Owner / Operator signature

Owner / Operator Name

Dealer stamp & signature:.....

Payment towards all consumables (All lub. /oils, bulb, etc.) will be borne by customer



International Tractors Limited
 Jalandhar Rd. Hoshiarpur- (Pb). 146 001
 Phones: +91-1882- 302220, 302221, 302223

4th

Fourth Service (Hours : 750-760)

Date: _____
 Dealer Code: _____
 Model: _____
 Chassis No. _____
 Engine No. _____
 HMR _____

I here by certify that the service has been carried out to my entire satisfaction as per company recommended schedule.

Owner / Operator signature

Owner / Operator Name

Dealer stamp & signature:.....

Payment towards all consumables (All lub. /oils, bulb, etc.) will be borne by customer

JOB TO BE PERFORMED DURING 510 HOURS SERVICE

Operations	Check Points	Tick
Washing	Complete Tractor.	
Lubrication	Lubricate all grease nipples.	
Oil Change	(Sonalika Maxima) Engine Oil. Air cleaner oil.	
Check & Top up	Coolant Level. Electrolyte level of battery. Oil level in steering box.	
Check & Adjust	Tappet clearance. Brake & Clutch pedal free play. Belt Tension(10mm) Idle RPM/Max RPM.	
Check	Toe-In & Tyre pressure. Functioning of oil & temp. gauge. Air cleaner Oil /Air Filter Tightness of all bolts & nuts.	
Clean	FIP feed pump bowl. Vent plugs & terminals of battery. Air cleaner element Wet / Dry. Fuel Cock strainer. Water separator	
Change	Lubrication oil filter & hyd. oil filter.	
Torquing	Engine & Bell Hsg M12*1.75*40 /M10*1.5 70/40 Nm Front axle bolts 150 to 180 NM	

JOB TO BE PERFORMED DURING 510 HOURS SERVICE

Operations	Check Points	Tick
Washing	Complete Tractor.	
Lubrication	Lubricate all grease nipples.	
Oil Change	(Sonalika Maxima) Engine Oil. Air cleaner oil.	
Check & Top up	Coolant Level. Electrolyte level of battery. Oil level in steering box.	
Check & Adjust	Tappet clearance. Brake & Clutch pedal free play. Belt Tension(10mm) Idle RPM/Max RPM.	
Check	Toe-In & Tyre pressure. Functioning of oil & temp. gauge. Air cleaner Oil /Air Filter Tightness of all bolts & nuts.	
Clean	FIP feed pump bowl. Vent plugs & terminals of battery. Air cleaner element Wet / Dry. Fuel Cock strainer. Water separator	
Change	Lubrication oil filter & hyd. oil filter.	
Torquing	Engine & Bell Hsg M12*1.75*40 /M10*1.5 70/40 Nm Front axle bolts 150 to 180 NM	

JOB TO BE PERFORMED DURING 760 HOURS SERVICE

Operations	Check Points	Tick
Washing	Complete Tractor.	
Lubrication	Lubricate all grease nipples.	
Oil Change	(Sonalika Maxima) Engine Oil. Air cleaner oil.	
Check & Top up	Coolant Level. Electrolyte level of battery. Oil level in steering box.	
Check & Adjust	Tappet clearance. Brake & Clutch pedal free play. Belt Tension(10mm) Idle RPM/Max RPM.	
Check	Toe-In & Tyre pressure. Functioning of oil & temp. gauge. Air cleaner Oil /Air Filter Tightness of all bolts & nuts.	
Clean	FIP feed pump bowl. Vent plugs & terminals of battery. Air cleaner element Wet / Dry. Brake housing / lining. Fuel Cock strainer. Water separator	
Change	Lubrication oil filter & hyd. oil filter.	
Torquing	Engine & Bell Hsg M12*1.75*40 /M10*1.5 70/40 Nm Front axle bolts 150 to 180 NM	

JOB TO BE PERFORMED DURING 760 HOURS SERVICE

Operations	Check Points	Tick
Washing	Complete Tractor.	
Lubrication	Lubricate all grease nipples.	
Oil Change	(Sonalika Maxima) Engine Oil. Air cleaner oil.	
Check & Top up	Coolant Level. Electrolyte level of battery. Oil level in steering box.	
Check & Adjust	Tappet clearance. Brake & Clutch pedal free play. Belt Tension(10mm) Idle RPM/Max RPM.	
Check	Toe-In & Tyre pressure. Functioning of oil & temp. gauge. Air cleaner Oil /Air Filter Tightness of all bolts & nuts.	
Clean	FIP feed pump bowl. Vent plugs & terminals of battery. Air cleaner element Wet / Dry. Brake housing / lining. Fuel Cock strainer. Water separator	
Change	Lubrication oil filter & hyd. oil filter.	
Torquing	Engine & Bell Hsg M12*1.75*40 /M10*1.5 70/40 Nm Front axle bolts 150 to 180 NM	



International Tractors Limited
 Jalandhar Rd. Hoshiarpur- (Pb). 146 001
 Phones: +91-1882- 302220, 302221, 302223

5th

Fifth Service (Hours: 1000-1010)

Date: _____
 Dealer Code: _____
 Model: _____
 Chassis No. _____
 Engine No. _____
 HMR _____

I here by certify that the service has been carried out to my entire satisfaction as per company recommended schedule.

Owner / Operator signature

Owner / Operator Name

Dealer stamp & signature:.....

Payment towards all consumables (All lub. /oils, bulb, etc.) will be borne by customer



International Tractors Limited
 Jalandhar Rd. Hoshiarpur- (Pb). 146 001
 Phones: +91-1882- 302220, 302221, 302223

5th

Fifth Service (Hours: 1000-1010)

Date: _____
 Dealer Code: _____
 Model: _____
 Chassis No. _____
 Engine No. _____
 HMR _____

I here by certify that the service has been carried out to my entire satisfaction as per company recommended schedule.

Owner / Operator signature

Owner / Operator Name

Dealer stamp & signature:.....

Payment towards all consumables (All lub. /oils, bulb, etc.) will be borne by customer



International Tractors Limited
 Jalandhar Rd. Hoshiarpur- (Pb). 146 001
 Phones: +91-1882- 302220, 302221, 302223

6th

Sixth Service (Hours : 1250-1260)

Date: _____
 Dealer Code: _____
 Model: _____
 Chassis No. _____
 Engine No. _____
 HMR _____

I here by certify that the service has been carried out to my entire satisfaction as per company recommended schedule.

Owner / Operator signature

Owner / Operator Name

Dealer stamp & signature:.....

Payment towards all consumables (All lub. /oils, bulb, etc.) will be borne by customer



International Tractors Limited
 Jalandhar Rd. Hoshiarpur- (Pb). 146 001
 Phones: +91-1882- 302220, 302221, 302223

6th

Sixth Service (Hours : 1250-1260)

Date: _____
 Dealer Code: _____
 Model: _____
 Chassis No. _____
 Engine No. _____
 HMR _____

I here by certify that the service has been carried out to my entire satisfaction as per company recommended schedule.

Owner / Operator signature

Owner / Operator Name

Dealer stamp & signature:.....

Payment towards all consumables (All lub. /oils, bulb, etc.) will be borne by customer

JOB TO BE PERFORMED DURING 1010 HOURS SERVICE

Operations	Check Points	Tick
Washing	Complete Tractor.	
Lubrication	Lubricate all grease nipples.	
Oil Change	(Sonalika Maxima) Engine Oil.	
	Transmission oil	
	Air cleaner oil.	
Check & Top up	Coolant Level.	
	Electrolyte level of battery.	
	Oil level in steering box.	
Check & Adjust	Tappet clearance.	
	Brake & Clutch pedal free play.	
	Belt Tension 10mm	
	Idle RPM/Max RPM.	
Check	Toe-In & Tyre pressure.	
	Functioning of oil & temp. gauge.	
	Air cleaner, Oil/Air Filter	
	Tightness of all bolts & nuts.	
Clean	FIP feed pump bowl.	
	Vent plugs & terminals of battery.	
	Air cleaner element Wet / Dry.	
	Fuel Cock strainer.	
	Water separator	
Change	Lubrication oil filter & hyd. oil filter	
	Engine & Bell Hsg M12*1.75*40	
Torquing	/M10*1.5 70/40 Nm	
	Front axle bolts 150 to 180 NM	

JOB TO BE PERFORMED DURING 1010 HOURS SERVICE

Operations	Check Points	Tick
Washing	Complete Tractor.	
Lubrication	Lubricate all grease nipples.	
Oil Change	(Sonalika Maxima) Engine Oil.	
	Transmission oil	
	Air cleaner oil.	
Check & Top up	Coolant Level.	
	Electrolyte level of battery.	
	Oil level in steering box.	
Check & Adjust	Tappet clearance.	
	Brake & Clutch pedal free play.	
	Belt Tension 10mm	
	Idle RPM/Max RPM.	
Check	Toe-In & Tyre pressure.	
	Functioning of oil & temp. gauge.	
	Air cleaner, Oil/Air Filter	
	Tightness of all bolts & nuts.	
Clean	FIP feed pump bowl.	
	Vent plugs & terminals of battery.	
	Air cleaner element Wet / Dry.	
	Fuel Cock strainer.	
	Water separator	
Change	Lubrication oil filter & hyd. oil filter	
	Engine & Bell Hsg M12*1.75*40	
Torquing	/M10*1.5 70/40 Nm	
	Front axle bolts 150 to 180 NM	

JOB TO BE PERFORMED DURING 1260 HOURS SERVICE

Operations	Check Points	Tick
Washing	Complete Tractor.	
Lubrication	Lubricate all grease nipples.	
Oil Change	(Sonalika Maxima) Engine Oil.	
	Air cleaner oil.	
Check & Top up	Coolant Level.	
	Electrolyte level of battery.	
	Oil level in steering box.	
Check & Adjust	Tappet clearance.	
	Brake & Clutch pedal free play.	
	Belt Tension(10mm)	
	Idle RPM/Max RPM.	
Check	Toe-In & Tyre pressure.	
	Functioning of oil & temp. gauge.	
	Air cleaner Oil /Air Filter	
	Tightness of all bolts & nuts.	
Clean	FIP feed pump bowl.	
	Vent plugs & terminals of battery.	
	Air cleaner element Wet / Dry.	
	Fuel Cock strainer.	
	Water separator	
Change	Lubrication oil filter & hyd. oil filter.	
	Engine & Bell Hsg M12*1.75*40	
Torquing	/M10*1.5 70/40 Nm	
	Front axle bolts 150 to 180 NM	

JOB TO BE PERFORMED DURING 1260 HOURS SERVICE

Operations	Check Points	Tick
Washing	Complete Tractor.	
Lubrication	Lubricate all grease nipples.	
Oil Change	(Sonalika Maxima) Engine Oil.	
	Air cleaner oil.	
Check & Top up	Coolant Level.	
	Electrolyte level of battery.	
	Oil level in steering box.	
Check & Adjust	Tappet clearance.	
	Brake & Clutch pedal free play.	
	Belt Tension(10mm)	
	Idle RPM/Max RPM.	
Check	Toe-In & Tyre pressure.	
	Functioning of oil & temp. gauge.	
	Air cleaner Oil /Air Filter	
	Tightness of all bolts & nuts.	
Clean	FIP feed pump bowl.	
	Vent plugs & terminals of battery.	
	Air cleaner element Wet / Dry.	
	Fuel Cock strainer.	
	Water separator	
Change	Lubrication oil filter & hyd. oil filter.	
	Engine & Bell Hsg M12*1.75*40	
Torquing	/M10*1.5 70/40 Nm	
	Front axle bolts 150 to 180 NM	



International Tractors Limited
 Jalandhar Rd. Hoshiarpur- (Pb). 146 001
 Phones: +91-1882- 302220, 302221, 302223

7th

Seventh Service (Hours: 1500)

Date: _____
 Dealer Code: _____
 Model: _____
 Chassis No. _____
 Engine No. _____
 HMR _____

I here by certify that the service has been carried out to my entire satisfaction as per company recommended schedule.

Owner / Operator signature

Owner / Operator Name

Dealer stamp & signature:.....

Payment towards all consumables (All lub. /oils, bulb, etc.) will be borne by customer



International Tractors Limited
 Jalandhar Rd. Hoshiarpur- (Pb). 146 001
 Phones: +91-1882- 302220, 302221, 302223

7th

Seventh Service (Hours: 1500)

Date: _____
 Dealer Code: _____
 Model: _____
 Chassis No. _____
 Engine No. _____
 HMR _____

I here by certify that the service has been carried out to my entire satisfaction as per company recommended schedule.

Owner / Operator signature

Owner / Operator Name

Dealer stamp & signature:.....

Payment towards all consumables (All lub. /oils, bulb, etc.) will be borne by customer

JOBS TO BE PERFORMED DURING 1500 HOURS SERVICE

Operations	Check Points	Tick
Washing	Complete Tractor.	
Lubrication	Lubricate all grease nipples.	
Oil Change	(Sonalika Maxima) Engine Oil. Air cleaner oil.	
Check & Top up	Coolant Level. Electrolyte level of battery. Oil level in steering box.	
Check & Adjust	Tappet clearance. Brake & Clutch pedal free play. Belt Tension(10mm) Idle RPM/Max RPM.	
Check	Toe-In & Tyre pressure. Functioning of oil & temp. gauge. Air cleaner Oil /Air Filter Tightness of all bolts & nuts.	
Clean	FIP feed pump bowl. Vent plugs & terminals of battery. Air cleaner element Wet / Dry. Brake housing / lining. Fuel Cock strainer. Water separator	
Change	Lubrication oil filter & hyd. oil filter.	
Torquing	Engine & Bell Hsg M12*1.75*40 /M10*1.5 70/40 Nm Front axle bolts 150 to 180 NM	

JOBS TO BE PERFORMED DURING 1500 HOURS SERVICE

Operations	Check Points	Tick
Washing	Complete Tractor.	
Lubrication	Lubricate all grease nipples.	
Oil Change	(Sonalika Maxima) Engine Oil. Air cleaner oil.	
Check & Top up	Coolant Level. Electrolyte level of battery. Oil level in steering box.	
Check & Adjust	Tappet clearance. Brake & Clutch pedal free play. Belt Tension(10mm) Idle RPM/Max RPM.	
Check	Toe-In & Tyre pressure. Functioning of oil & temp. gauge. Air cleaner Oil /Air Filter Tightness of all bolts & nuts.	
Clean	FIP feed pump bowl. Vent plugs & terminals of battery. Air cleaner element Wet / Dry. Brake housing / lining. Fuel Cock strainer. Water separator	
Change	Lubrication oil filter & hyd. oil filter.	
Torquing	Engine & Bell Hsg M12*1.75*40 /M10*1.5 70/40 Nm Front axle bolts 150 to 180 NM	

KARTICA POVROTNE INFORMACIJE OD KUPCA

Ime kupca :

Adresa :

..... Telefon

Br. Šasije.Br. Motora. Model :

Ime Ditera

Kod Ditera Datum isporuke.....

S.Br.	PROBLEMI DO KOJIH JE DOŠLO TOKOM KORIŠĆENJA TRAKTORA	Ispravljeno (Da/Ne)
1.		
2.		
3.		
4.		
5.		
6.		

2. ISKUSTVO TOKOM ISPORUKE IT IZLOŽBENOG SALONA

	DOBRO	PRISTOJNO	LOŠE
Gostoprimstvo	<input type="checkbox"/>	<input type="checkbox"/>	<input type="checkbox"/>
Jasna objašnjenja od strane osoblja Ditera o radu, karakteristikama i održavanju traktora	<input type="checkbox"/>	<input type="checkbox"/>	<input type="checkbox"/>
Čistoća traktora prilikom isporuke	<input type="checkbox"/>	<input type="checkbox"/>	<input type="checkbox"/>
		DA	NE
Da li je bilo nepotrebnog odlaganja u predavanju traktora na dan isporuke		<input type="checkbox"/>	<input type="checkbox"/>

3. ISKUSTVA U SERVISU

Ime servisa :

Grad

	DOBRO	PRISTOJNO	LOŠE
Gostoprimstvo	<input type="checkbox"/>	<input type="checkbox"/>	<input type="checkbox"/>
Kvalitet popravke/ Servisa	<input type="checkbox"/>	<input type="checkbox"/>	<input type="checkbox"/>
		DA	NE
Traktor isporučen u dogovoreno vreme		<input type="checkbox"/>	<input type="checkbox"/>
Da li je praćenje posle servisa urađeno		<input type="checkbox"/>	<input type="checkbox"/>

Sugestije:

TO OPEN CUT HERE

INLAND LETTER CARD



SONALIKA INTERNATIONAL TRACTORS LIMITED

Works : Village Chak Gujran, P.O. Piplanwala,
Jalandhar Road, Hoshiarpur, PUNJAB (INDIA)
Phone : +91 1882 302-525/526
www.sonalika.com

(Do not write or print below this line) _____ PIN

1	4	6	0	2	2
---	---	---	---	---	---

TO OPEN CUT HERE

TO OPEN CUT HERE

SECOND FOLD

NO ENCLOSURES ALLOWED
WRITE PIN CODE IN ADDRESS
SENDER'S NAME AND ADDRESS

PIN

--	--	--	--	--	--

FIRST FOLD